

THIS DRAWING IS UNPUBLISHED.

RELEASED FOR PUBLICATION

,19 .

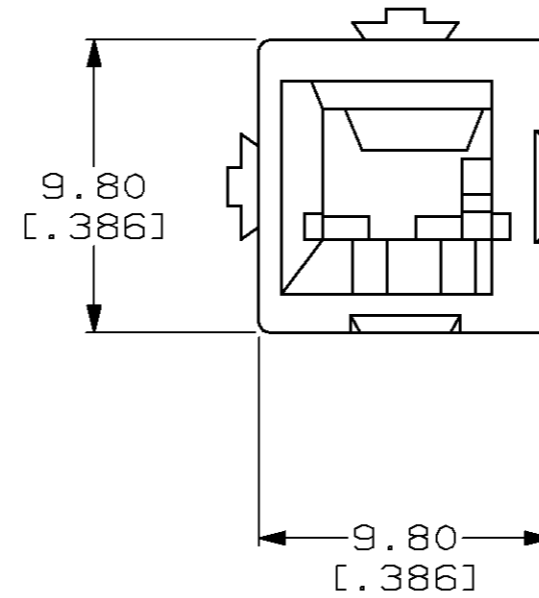
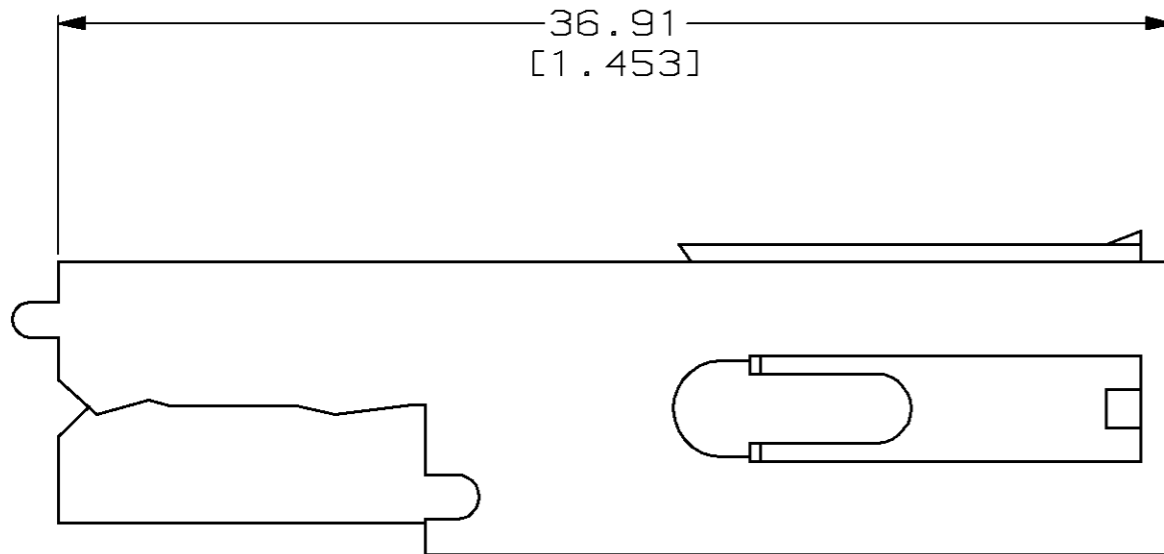
© COPYRIGHT 19

BY AMP INCORPORATED. ALL RIGHTS RESERVED.

LOC FT DIST 60

REVISIONS

P	LTR	DESCRIPTION	DATE	DWN	APVD
B		REV & REDRAWN PER EC 0320-70-97	13 MAR 97	-	-



1. ALL DIMENSIONS ARE MAXIMUM UNLESS OTHERWISE SPECIFIED.
2. THIS HOUSING IS USED WITH TERMINALS 556135-1,-2 [18-16-14 AWG CU WIRE: (-1) REEL AND (-2) LOOSE PIECE], AND 556136-1,-2 [12 AND 10 AWG CU WIRE: (-1) REEL AND (-2) LOOSE PIECE] AND MOUNTING ADAPTER 557313-1.

GRAY	556137-8
BLUE	556137-6
RED	556137-4
GREEN	556137-3
BLACK	556137-2
WHITE	556137-1
COLOR	PART NUMBER

THIS DRAWING IS A CONTROLLED DOCUMENT.		DWN M. BINNER 13 MAR 97	<b>AMP</b> AMP Incorporated Harrisburg, PA 17105-3608	
DIMENSIONS: mm [INCHES]		CHK R. STONE 14 MAR 97		
TOLERANCES UNLESS OTHERWISE SPECIFIED:		APVD M. McALONIS 17 MAR 97	NAME HOUSING, SINGLE POSITION, WTW, AMPINERGY™	
0 PLC ±-		PRODUCT SPEC 108-1373	SIZE	
1 PLC ±-		APPLICATION SPEC 114-6051	CAGE CODE	DRAWING NO
2 PLC ±-		WEIGHT	A300779	C=556137
3 PLC ±-		CUSTOMER DRAWING	SCALE	SHEET
4 PLC ±-			4:1	1 OF 1
ANGLES ±-			REV	B
MATERIAL POLYCARBONATE, 94V-0 COLOR: SEE TABLE		FINISH		